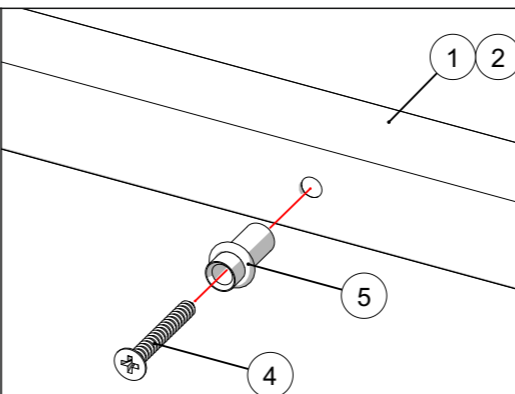
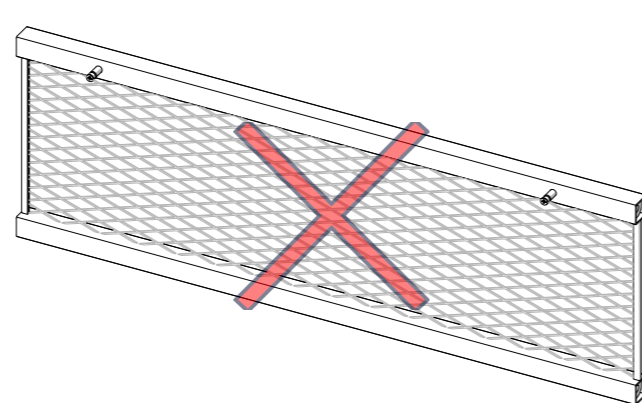
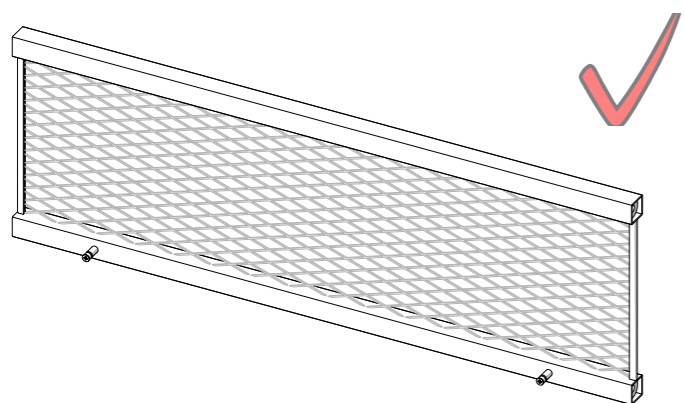


for more info



Pins must be stayed at the bottom.



No	Description	Qty.	Pack
1	A-Frame	2	1
2	Side Frame	2	1
3	M8x45mm Socket Head Bolt	8	1
4	Self Tapping Screw	8	1
5	Base Pins	8	1
6	18mm MDF Base	1	2

**SHL401**