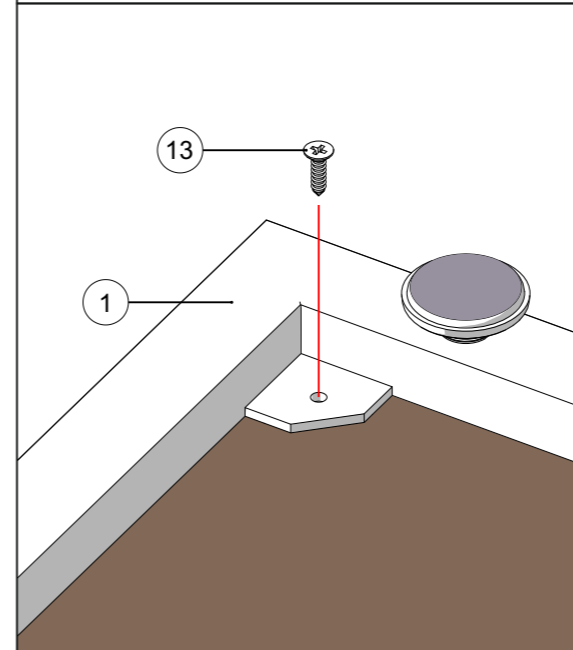
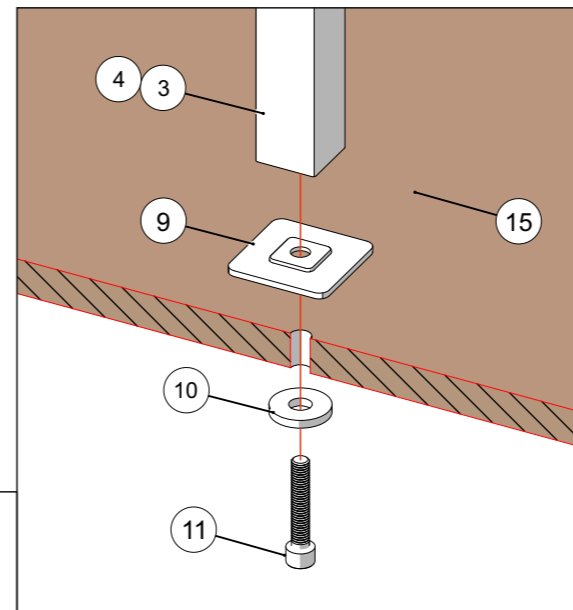


for more info



| No | Description              | Qty. | Pack |
|----|--------------------------|------|------|
| 1  | Base Frame               | 1    | 1    |
| 2  | U Upright                | 1    | 1    |
| 3  | Long Upright             | 1    | 1    |
| 4  | Short Upright            | 1    | 1    |
| 5  | Connector                | 1    | 1    |
| 6  | Hanger Bar               | 1    | 1    |
| 7  | Front Hanger Bar         | 1    | 1    |
| 8  | Front Hanger Cap         | 1    | 1    |
| 9  | Rectangular Flange       | 2    | 1    |
| 10 | M8 Washer                | 2    | 1    |
| 11 | M8x45mm Socket Head Bolt | 8    | 1    |
| 12 | M8 Threaded Rod          | 1    | 1    |
| 13 | Self Tapping Screw       | 15   | 1    |
| 14 | Shelf Pin                | 9    | 1    |
| 15 | 18mm MDF Base            | 1    | 2    |
| 16 | 18mm MDF Shelf           | 3    | 2    |

# SHL221